

GENERAL

CONTENTS

VEHICLE IDENTIFICATION	2	MAJOR SPECIFICATIONS	5
Models	2		
Chassis Number	4		

VEHICLE IDENTIFICATION

MODELS

<2-DOOR MODELS>

Model code		Body style	Engine model	Transmission model	Fuel supply system
V24C	NSFL6	Canvas top	4D56 [2,477 m ℓ] with turbocharger and inter-cooler	V5MT1 (5M/T)	Injection
V23C	GNHVL6/R6	Canvas top with blistered fender	6G72 [2,972 m ℓ]	V5MT1 (5M/T)	MPI
	GRHVL6/R6			V4AW3 (4A/T)	
V24W	NDFL6	Wagon	4D56 [2,477 m ℓ] with turbocharger and inter-cooler	V5MT1 (5M/T)	Injection
	NHFL6/R6				
	NDGL6*				
V24WG	NXFL6/R6	Wagon with blistered fender			
V26W	NHFL6	Wagon	4M40 [2,835 m ℓ] with turbocharger and inter-cooler	V5M31 (5M/T)	
V26WG	NXFL6/R6	Wagon with blistered fender			
	NXGL6*				
V23W	NHVL6	Wagon	6G72 [2,972 m ℓ]	V5M31 (5M/T)	MPI
	GNXVL6/R6	Wagon with blistered fender		V5M31 (5M/T)	
	GRXVL6/R6			V4AW3 (4A/T)	
V25WG*	NXVL6/R6	Wagon with blistered fender	6G74 [3,497 m ℓ]	V5M31 (5M/T)	
	RXVL6/R6			V4AW3 (4A/T)	

NOTE

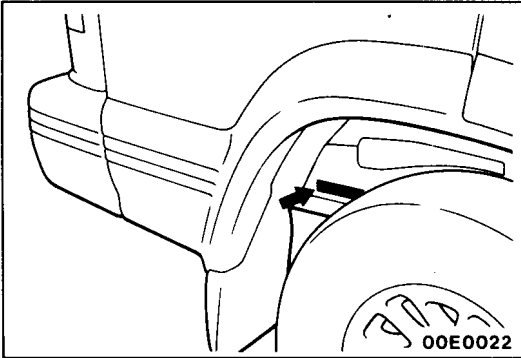
*: Indicates change.

<4-DOOR MODELS>



Model code		Body style	Engine model	Transmission model	Fuel supply system	
V44W	NDFL6	Wagon	4D56 [2,477 m ^l] with turbocharger and inter-cooler	V5MT1 (5M/T)	Injection	
	NDFCL6	Wagon without 3rd seat row				
	NHFL6	Wagon				
V44WG	NXFL6/R6	Wagon with blistered fender				
V46W	NDFL6	Wagon	4M40 [2,835 m ^l] with turbocharger and inter-cooler	V5M31 (5M/T)		
	NDFCL6	Wagon without 3rd seat row				
	NDGL6*	Wagon				
	NDGCL6*	Wagon without 3rd seat row				
	NHFL6/R6	Wagon				
	NHGL6					
	RHFR6			V4AW3 (4A/T)		
V46WG	NXFL6/R6	Wagon with blistered fender		V5M31 (5M/T)		
	RXFL6/R6			V4AW3 (4A/T)		
	NXGL6*			V5M31 (5M/T)		
	RXGL6*			V4AW3 (4A/T)		
V43W	NHVL6/R6	Wagon	6G72 [2,972 m ^l]	V5MT1 (5M/T)	MPI	
	RHVL6/R6			V4AW3 (4A/T)		
V43WG	NXVL6/R6	Wagon with blistered fender				V5MT1 (5M/T)
	RXVL6/R6					V4AW3 (4A/T)
V45WG*	NXVL6/R6		6G74 [3,497 m ^l]	V5M31 (5M/T)		
	RXVL6/R6			V4AW3 (4A/T)		

NOTE

*: Indicates change.

**CHASSIS NUMBER**

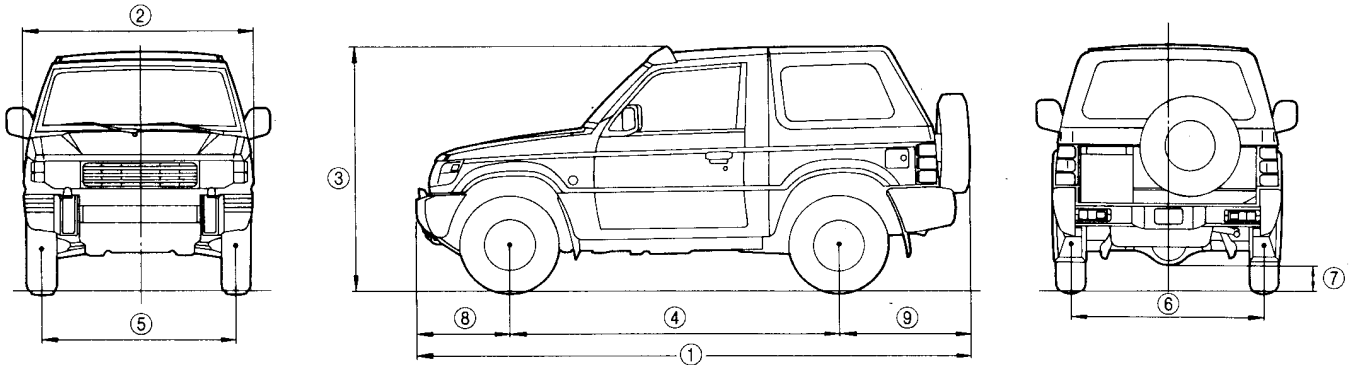
The chassis number is stamped on the side wall of the frame near the right rear wheel.


J **M** **B** **0** **N** **V24** **0** **W** **J** **000001** 
 1 2 3 4 5 6 7 8 9 10

- | | |
|--|---|
| <p>1. Asia</p> <p>2. Japan</p> <p>3. MITSUBISHI
A: Right hand drive for Europe
B: Left hand drive for Europe</p> <p>4. Sort
0: 4 or 2-door with tailgate (backdoor)
A: 2-door semi-open (canvas top)</p> <p>5. Transmission
N: 5 × 2-speed manual transmission
R: 4 × 2-speed automatic transmission</p> <p>6. Development order
V23: 2,972 mℓ
Petrol engine <2-door models>
V24: 2,477 mℓ
Diesel engine <2-door models>
V25: 3,497 mℓ
Petrol engine <2-door models>
V26: 2,835 mℓ
Diesel engine <2-door models>
V43: 2,972 mℓ
Petrol engine <4-door models>
V44: 2,477 mℓ
Diesel engine <4-door models>
V45: 3,497 mℓ
Petrol engine <4-door models>
V46: 2,835 mℓ
Diesel engine <4-door models></p> | <p>7. Body style
0: Frame</p> <p>8. Model year
W: 1998*</p> <p>9. Plant
J,P,Y: Oye Plant of NAGOYA Motor Vehicle Works</p> <p>10. Serial number
000001 ~</p> <p>NOTE
*: Indicates change.</p> |
|--|---|

MAJOR SPECIFICATIONS

CANVAS TOP



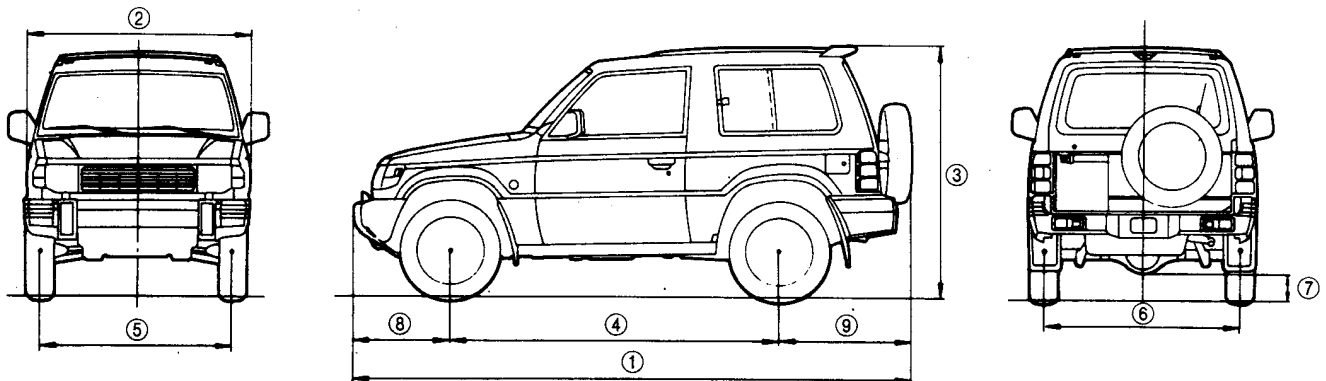
00E0038

Items		V24CNSFL6	V23CGNHVL6/R6	V23CGRHVL6/R6
Dimensions mm				
Overall length	①	4,075		4,145
Overall width	②	1,695		1,785
Overall height (unladen)	③	1,835		1,845
Wheelbase	④	2,420		2,420
Track-front	⑤	1,420		1,465
Track-rear	⑥	1,435		1,480
Ground clearance (laden)	⑦	205		215
Overhang-front	⑧	675		720
Overhang-rear	⑨	980		1,005
Weight kg				
Kerb weight		1,655 – 1,800	1,725 – 1,855	1,735 – 1,865
Max. gross vehicle weight		2,510	2,510	2,510
Max. front axle load		1,100 or 1,070 *1	1,200 or 1,030 *1	1,200 or 1,030 *1
Max. rear axle load		1,650 or 1,565 *1	1,650 or 1,405 *1	1,650 or 1,405 *1
Seating capacity		4		
Engine				
Model		4D56		6G72
Total displacement	m l	2,477		2,972
Transmission				
Type		5-speed manual	5-speed manual	4-speed automatic
Model		V5MT1	V5MT1	V4AW3

NOTE

*1: Vehicles for Belgium and France

METAL TOP



<VEHICLES WITH PETROL ENGINE>

00E0039

Items		V23WNHVL6	V23WGNXVL6/R6	V23WGRXVL6/R6	V25WGNXVL6/R6 V25WGRXVL6/R6
Dimensions	mm				
Overall length	①	4,120		4,145	4,145
Overall width	②	1,695		1,785	1,785
Overall height (unladen)	③	1,835		1,845	1,845
Wheelbase	④	2,420		2,420	2,420
Track-front	⑤	1,420		1,465	1,465
Track-rear	⑥	1,435		1,480	1,480
Ground clearance (laden)	⑦	205		215	215
Overhang-front	⑧	720		720	720
Overhang-rear	⑨	980		1,005	1,005
Weight	kg				
Kerb weight		1,740 – 1,865	1,765 – 1,875	1,775 – 1,885	1,800 – 1,925
Max. gross vehicle weight		2,510	2,510	2,510	2,510
Max. front axle load		1,200 or 1,030 *1	1,200 or 1,030 *1	1,200 or 1,030 *1	1,200 or 1,050 *1
Max. rear axle load		1,650 or 1,405 *1 or 1,780 *2	1,650 or 1,405 *1	1,650 or 1,405 *1	1,780 or 1,345 *1
Seating capacity		5			
Engine					
Model		6G72	6G72	6G72	6G74
Total displacement m ³		2,972	2,972	2,972	3,497
Transmission					
Type		5-speed manual	5-speed manual	4-speed automatic	5-speed manual or 4-speed automatic *3
Model		V5MT1	V5MT1	V4AW3	V5M31 or V4AW3 *3

NOTES

*1: Vehicles for Belgium and France

*2: Vehicles for Sweden

*3: V25WGRXVL6/R6

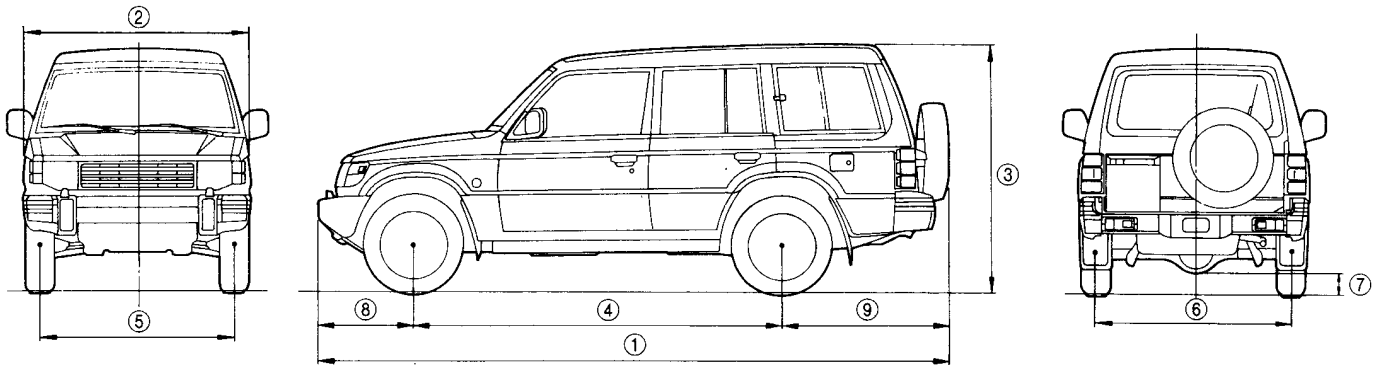
<VEHICLES WITH DIESEL ENGINE>

Items		V24WNDFL6 V24WNDGL6	V24WNHFL6/ R6	V24WGNXFL6 /R6	V26WNHFL6	V26WGNXFL6/R6 V26WGNXGL6
Dimensions	mm					
Overall length	①	4,075	4,120	4,145	4,120	4,145
Overall width	②	1,695	1,695	1,785	1,695	1,785
Overall height (unladen)	③	1,835	1,835	1,845	1,835	1,845
Wheelbase	④	2,420	2,420	2,420	2,420	2,420
Track-front	⑤	1,420	1,420	1,465	1,420	1,465
Track-rear	⑥	1,435	1,435	1,480	1,435	1,480
Ground clearance (laden)	⑦	205	205	215	190	205
Overhang-front	⑧	675	720	720	720	720
Overhang-rear	⑨	980	980	1,005	1,005	1,005
Weight	kg					
Kerb weight		1,690 – 1,820	1,735 – 1,900	1,760 – 1,905	1,830 – 2,000	1,855 – 2,005
Max. gross vehicle weight		2,510	2,510	2,510	2,510	2,510
Max. front axle load		1,100 or 1,070 * ¹	1,100 or 1,070 * ¹	1,100 or 1,070 * ¹	1,200 or 1,115 * ¹	1,200 or 1,115 * ¹
Max. rear axle load		1,650 or 1,565 * ¹	1,650 or 1,565 * ¹	1,650 or 1,565 * ¹	1,780 or 1,440 * ¹	1,780 or 1,440 * ¹
Seating capacity		5				
Engine Model Total displacement m ³ /		4D56 2,477			4M40 2,835	
Transmission Type Model		5-speed manual V5MT1		5-speed manual V5MT1	5-speed manual V5M31	

NOTES

*¹: Vehicles for Belgium and France

WAGON



00E0040

<VEHICLES WITH PETROL ENGINE>

Items	V43WNHVL6/R6	V43WRHVL6/R6	V43WGNXVL6/R6
Dimensions			
mm			
Overall length	① 4,700	4,700	4,725
Overall width	② 1,695	1,695	1,775
Overall height (unladen)	③ 1,890	1,890	1,900
Wheelbase	④ 2,725	2,725	2,725
Track-front	⑤ 1,420	1,420	1,465
Track-rear	⑥ 1,435	1,435	1,480
Ground clearance (laden)	⑦ 205	205	215
Overhang-front	⑧ 720	720	720
Overhang-rear	⑨ 1,255	1,255	1,280
Weight			
kg			
Kerb weight	1,925 – 2,085	1,920 – 2,105 or 1,920 – 2,080 *2	1,955 – 2,115
Max. gross vehicle weight	2,650	2,650	2,650
Max. front axle load	1,200 or 1,075 *1	1,200 or 1,075 *1	1,200 or 1,075 *1
Max. rear axle load	1,650	1,650	1,650
Seating capacity	7		
Engine			
Model	6G72		
Total displacement	m l 2,972		
Transmission			
Type	5-speed manual	4-speed automatic	5-speed manual
Model	V5MT1	V4AW3	V5MT1

NOTES

*1: Vehicles for Belgium and France

*2: Vehicles for Sweden

GENERAL – Major Specifications

00-9

Items		V43WGRXVL6/R6	V45WGNXVL6/R6	V45WGRXVL6/R6
Dimensions	mm			
Overall length	①	4,725		4,725
Overall width	②	1,775		1,775
Overall height (unladen)	③	1,900		1,900
Wheelbase	④	2,725		2,725
Track-front	⑤	1,465		1,465
Track-rear	⑥	1,480		1,480
Ground clearance (laden)	⑦	215		205
Overhang-front	⑧	720		720
Overhang-rear	⑨	1,280		1,280
Weight	kg			
Kerb weight		1,955 – 2,115	1,985 – 2,150	1,980 – 2,145
Max. gross vehicle weight		2,650	2,720	2,720
Max. front axle load		1,200 or 1,075 * ¹	1,200 or 1,090 * ¹	1,200 or 1,090 * ¹
Max. rear axle load		1,650	1,780 or 1,670 * ¹	1,780 or 1,670 * ¹
Seating capacity		7		
Engine				
Model		6G72	6G74	
Total displacement	m ^l	2,972	3,497	
Transmission				
Type		4-speed automatic	5-speed manual	4-speed automatic
Model		V4AW3	V5M31	V4AW3

NOTE

*¹: Vehicles for Belgium and France

<VEHICLES WITH DIESEL ENGINE>

Items		V46WNDFL6 V46WNDGL6	V46WNDFCL6 V46WNDGCL6	V46WNHFL6/R6 V46WNHGL6
Dimensions	mm			
Overall length	①	4,655		4,700
Overall width	②	1,695		1,695
Overall height (unladen)	③	1,890		1,890
Wheelbase	④	2,725		2,725
Track-front	⑤	1,420		1,420
Track-rear	⑥	1,435		1,435
Ground clearance (laden)	⑦	190		190
Overhang-front	⑧	675		720
Overhang-rear	⑨	1,255		1,255
Weight	kg			
Kerb weight		1,960 – 2,095	1,920 – 2,055	2,010 – 2,180
Max. gross vehicle weight		2,720	2,720	2,720
Max. front axle load		1,200 or 1,145 * ¹	1,200 or 1,145 * ¹	1,200 or 1,145 * ¹
Max. rear axle load		1,780 or 1,655	1,780 or 1,655 * ¹	1,780 or 1,655 * ¹
Seating capacity		7	5	7
Engine				
Model		4M40		
Total displacement	m ³ /	2,835		
Transmission				
Type		5-speed manual		
Model		V5M31		

NOTE

*¹: Vehicles for Belgium and France

GENERAL – Major Specifications

00-11

Items		V46WRHFR6	V46WGNXFL6/R6 V46WGNXGL6	V46WGRXFL6/R6 V46WGRXGL6
Dimensions	mm			
Overall length	①	4,700		4,725
Overall width	②	1,695		1,775
Overall height (unladen)	③	1,890		1,900
Wheelbase	④	2,725		2,725
Track-front	⑤	1,420		1,465
Track-rear	⑥	1,435		1,480
Ground clearance (laden)	⑦	190		205
Overhang-front	⑧	720		720
Overhang-rear	⑨	1,255		1,280
Weight	kg			
Kerb weight		2,005 – 2,175	2,050 – 2,180	2,055 – 2,185
Max. gross vehicle weight		2,720	2,720	2,720
Max. front axle load		1,200 or 1,145 * ¹	1,200 or 1,145 * ¹	1,200 or 1,145 * ¹
Max. rear axle load		1,780 or 1,655	1,780 or 1,655 * ¹	1,780 or 1,655 * ¹
Seating capacity		7		
Engine				
Model		4M40		
Total displacement	m ³ /	2,835		
Transmission				
Type		4-speed automatic	5-speed manual	4-speed automatic
Model		V4AW3	V5M31	V4AW3

NOTE

*¹: Vehicles for Belgium and France

Items	V44WNDL6	V44WDFCL6	V44WNHFL6	V44WGNXFL6/R6
Dimensions mm				
Overall length ①	4,655	4,655	4,700	4,725
Overall width ②	1,695	1,695	1,695	1,775
Overall height (unladen) ③	1,890	1,890	1,890	1,900
Wheelbase ④	2,725	2,725	2,725	2,725
Track-front ⑤	1,420	1,420	1,420	1,465
Track-rear ⑥	1,435	1,435	1,435	1,480
Ground clearance (laden) ⑦	205	205	205	215
Overhang-front ⑧	650	650	720	720
Overhang-rear ⑨	1,280	1,280	1,255	1,280
Weight kg				
Kerb weight	1,865 – 2,000	1,840 – 1,975	1,915 – 2,110	1,950 – 2,120
Max. gross vehicle weight	2,650	2,650	2,650	2,650
Max. front axle load	1,200 or 1,075 * ¹	1,100 or 1,090 * ¹	1,100 or 1,090 * ¹	1,100 or 1,090 * ¹
Max. rear axle load	1,650	1,650	1,650	1,650
Seating capacity	7	5	7	7
Engine Model	4D56			
Total displacement m ³ /	2,477			
Transmission Type	5-speed manual			
Model	V5MT1			

NOTE

*¹: Vehicles for Belgium and France