
EXTERIOR

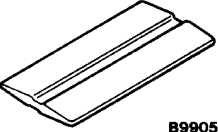
CONTENTS

GENERAL	2	FRONT BUMPER	3
Outline of Changes	2	SIDE STEP	5
SPECIAL TOOL	2	STRIPE TAPE	6

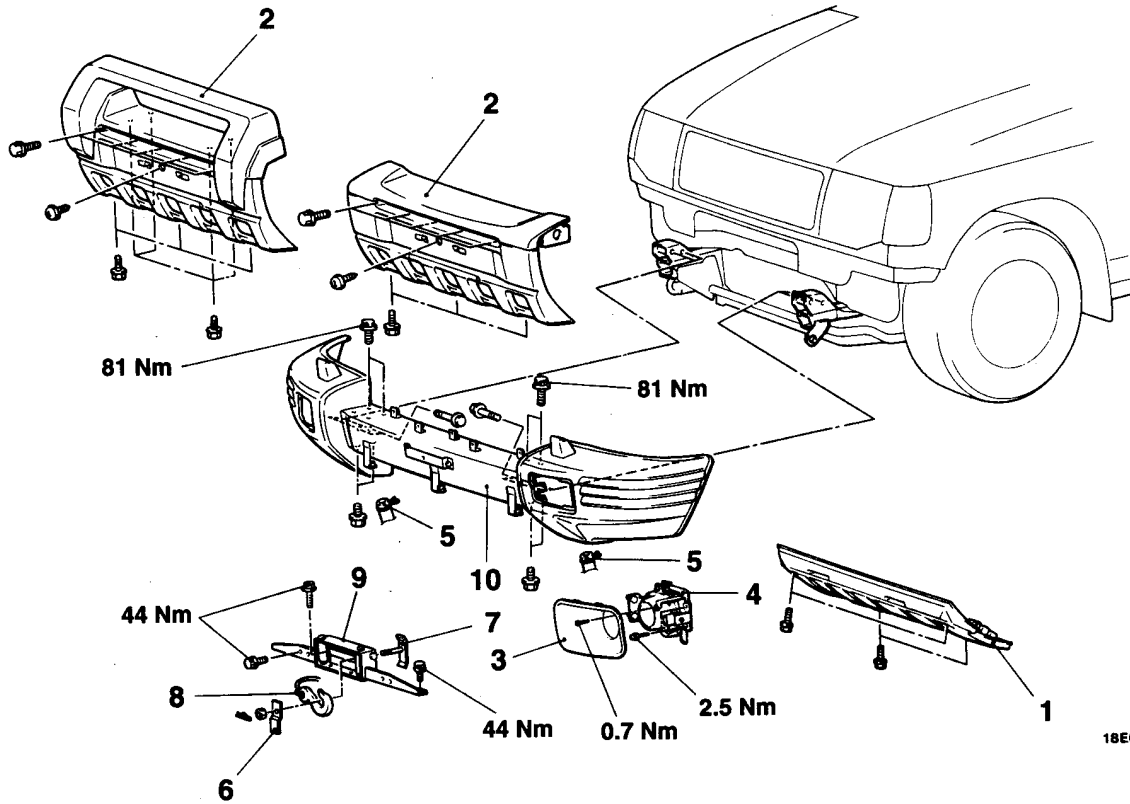
GENERAL**OUTLINE OF CHANGES**

- The front bumper with built-in fog lamp has been adopted. To correspond to this, the maintenance service procedures of the front bumper have been established. <Vehicles with blistered fender>
- New type of side step has been adopted. To correspond to this, the maintenance service procedures of the side step have been established. <Vehicles with blistered fender>
- New types of side stripes have been adopted. To correspond to this, the maintenance service points of the side stripe have been established. <Vehicles with blistered fender>

SPECIAL TOOL

Tool	Number	Name	Use
 <p data-bbox="308 797 379 813">B990528</p>	MB990528	Stripe tape spatula	Bonding of the stripe tape

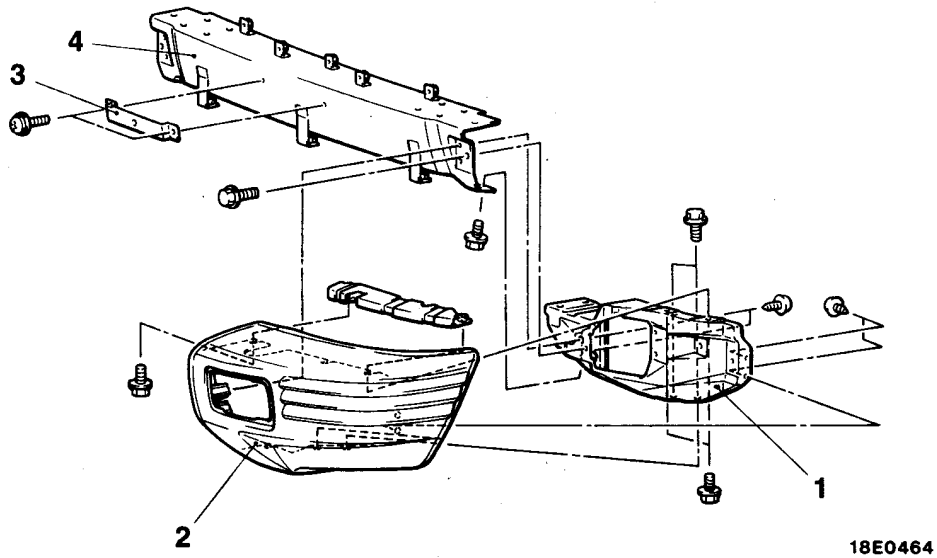
**FRONT BUMPER
REMOVAL AND INSTALLATION**



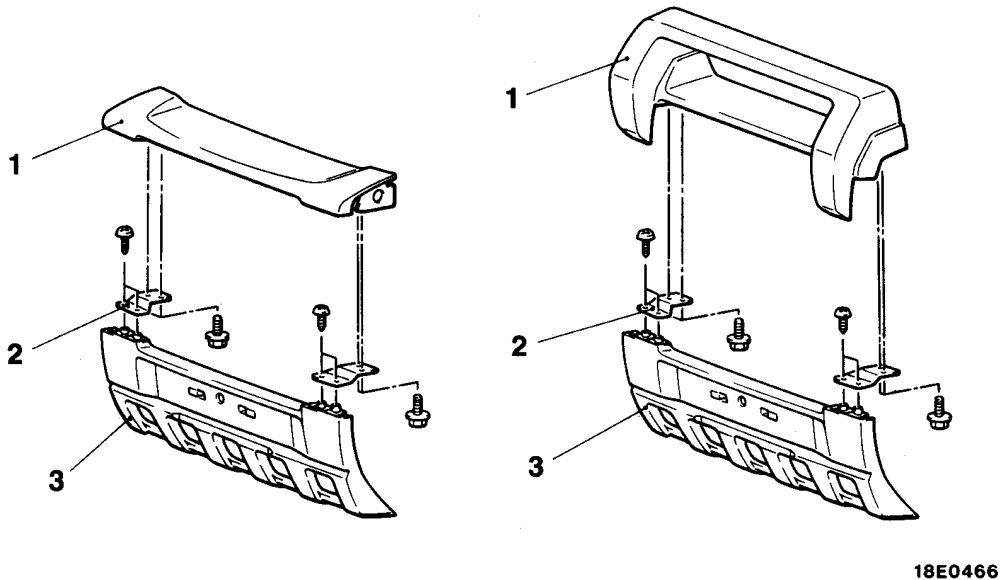
Removal steps

- | | |
|--|--|
| <ol style="list-style-type: none"> 1. Skid plate 2. Front bumper center garnish or grille guard 3. Fog lamp bezel 4. Front fog lamp assembly 5. Nozzle assembly and hose connection | <ol style="list-style-type: none"> 6. Stopper B <Vehicles with winch> 7. Stopper A <Vehicles with winch> 8. Rope hook <Vehicles with winch> 9. Guide roller <Vehicles with winch> 10. Front bumper assembly |
|--|--|

DISASSEMBLY AND REASSEMBLY

**Front bumper removal steps**

1. Front bumper side stay
2. Front bumper side face
3. Center bumper lower garnish bracket
4. Front center bumper

**Front bumper center garnish removal steps**

1. Front bumper center upper garnish
2. Garnish bracket
3. Front bumper center lower garnish

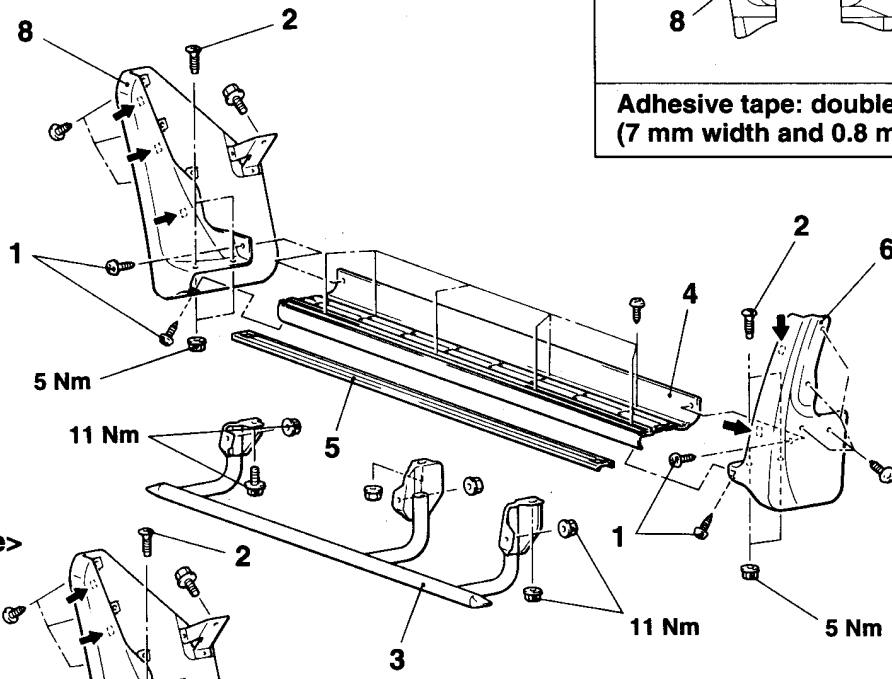
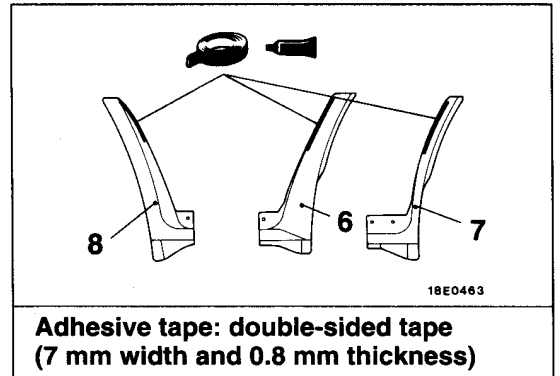
Grille guard removal steps

1. Grille guard
2. Garnish bracket
3. Front bumper center

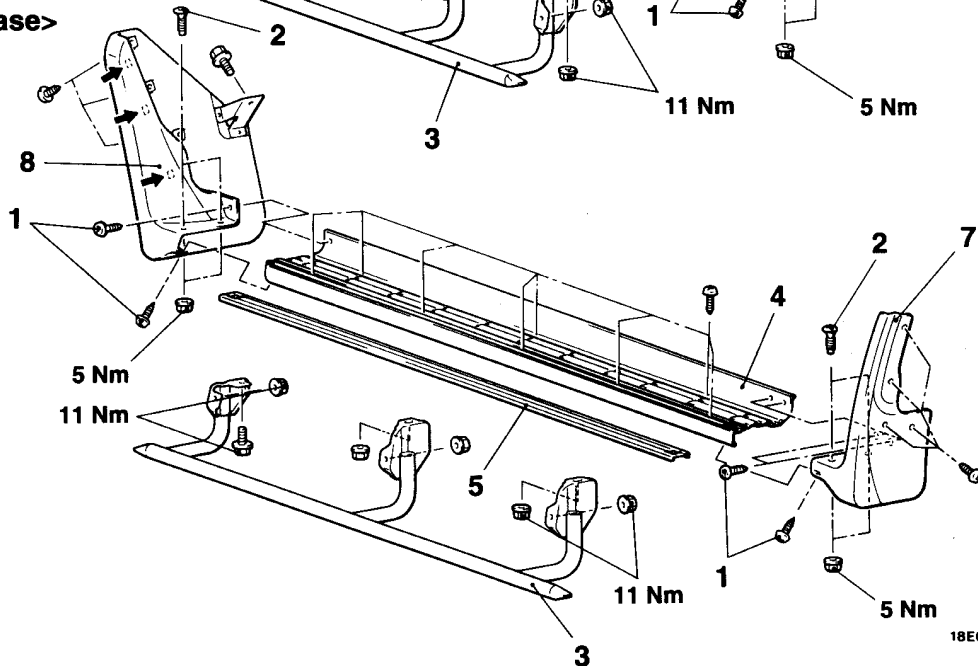
SIDE STEP

REMOVAL AND INSTALLATION

<Standard wheelbase>



<Long wheelbase>



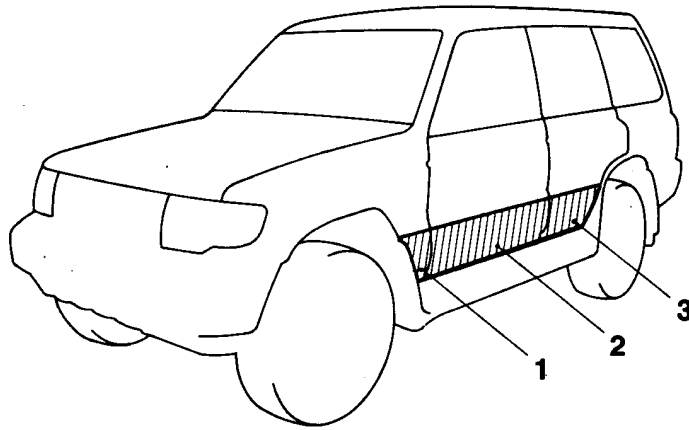
NOTE

←: resin clip position

Removal steps

1. Screw
2. Bolt
3. Side step pipe assembly
4. Step plate

5. Non slip cover
6. Rear step cover <Standard wheelbase>
7. Rear step cover <Long wheelbase>
8. Front mud guard

STRIPE TAPE**REMOVAL AND INSTALLATION**

18E0489

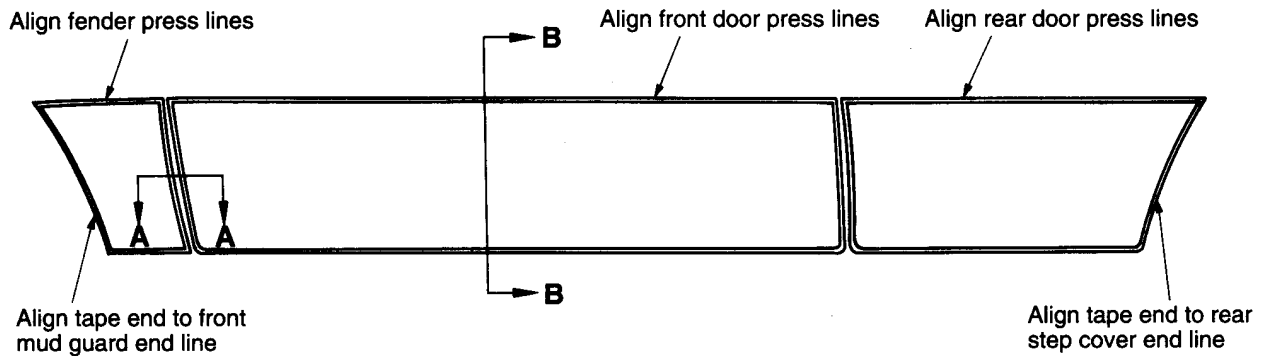
- ▶A◀ 1. Front stripe
- ▶A◀ 2. Front door stripe
- ▶A◀ 3. Rear door stripe

INSTALLATION SERVICE POINT

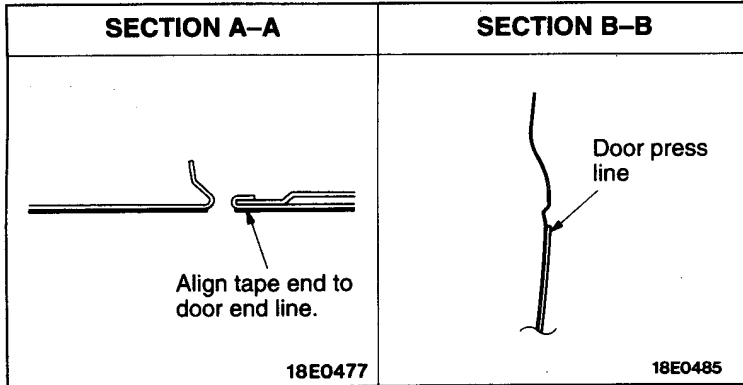
▶A◀ STRIPES INSTALLATION

1. Installation position
Attach to the position shown in the illustration.

STRIPE TAPE



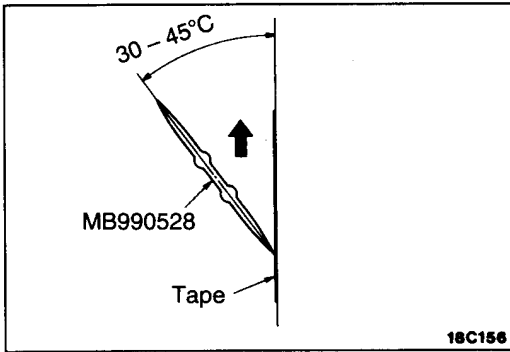
18E0483



2. Install the tape by the following procedure.
 - (1) Use unleaded gasoline or toluene to wipe off oil from stripe tape adhesion area.
 - (2) Remove protective paper from back of stripe tape and adhere entirely to indicated area.

Caution

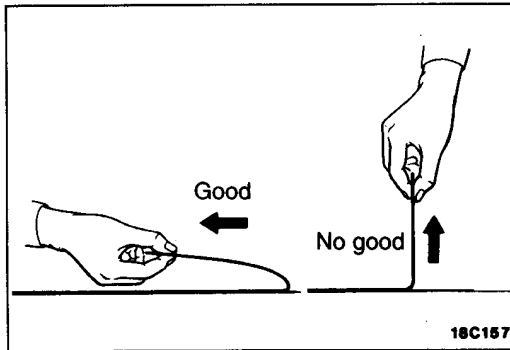
- Work in a dust-free workplace with temperature at 20 – 38°C.
- If workplace temperature is under 20°C, warm tape and vehicle body (adhesion area) to 20 – 38°C.



- (3) Use special tool and smooth out tape evenly starting from center of tape and up and then down to press out bubbles.

Caution

- Smoothing out horizontally will cause wrinkles and may displace the tape.
- Adhere tape securely to prevent tape from peeling off.



- (4) Hold one end of top protective paper and slowly peel off horizontally.
- (5) If bubbles are left under the tape, pierce slightly with needle and press out air with a spatula.