

## GROUP 52A INTERIOR

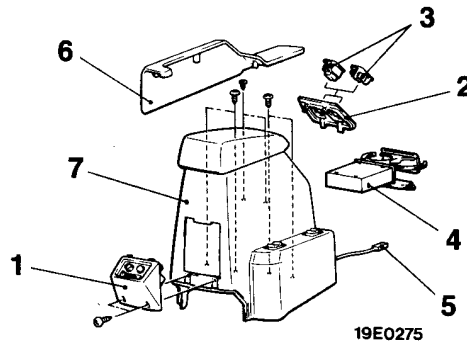
### GENERAL

#### OUTLINE OF CHANGE

The large rear console has been adopted. To correspond to this, the maintenance service procedures have been established.

### FLOOR CONSOLE

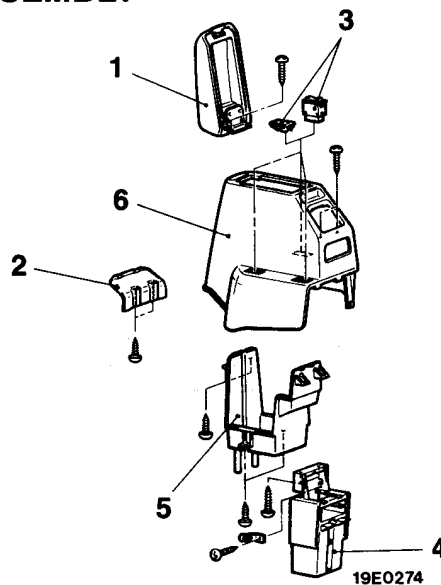
#### REMOVAL AND INSTALLATION



#### Removal steps

- |                                 |                          |
|---------------------------------|--------------------------|
| 1. Rear heater control assembly | 5. Connector             |
| 2. Switch panel                 | 6. Side panel A          |
| 3. Switch or hole cover         | 7. Rear console assembly |
| 4. Cup holder                   |                          |

#### DISASSEMBLY AND REASSEMBLY



#### Disassembly steps

- |                         |                 |
|-------------------------|-----------------|
| 1. Rear console lid     | 4. Inner box A  |
| 2. Rear cover           | 5. Inner box B  |
| 3. Switch or hole cover | 6. Rear console |