

GROUP 54

CHASSIS ELECTRICAL

GENERAL

OUTLINE OF CHANGES

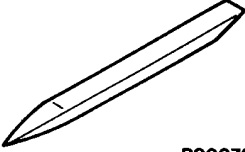
- The projector-type fog lamp has been adopted. To correspond to this, the maintenance service procedures have been established.
- The side turn signal lamp has been changed. To correspond to this, the maintenance service procedures have been established.
- The high-mounted stop lamp for the canvas top models has been adopted. To correspond to this, the maintenance service procedures have been established.

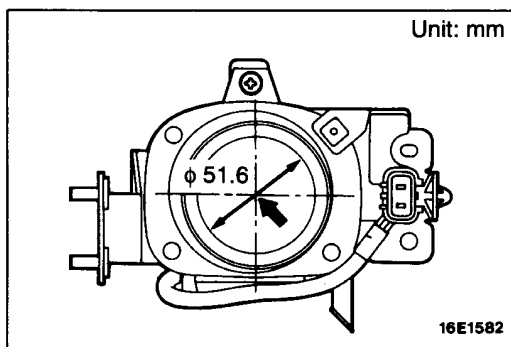
FRONT FOG LAMP

SERVICE SPECIFICATIONS

Items		Standard value
Front fog lamp aiming	Vertical direction	100 mm below horizontal (H)
	Horizontal direction	Parallel to direction of vehicle travel

SPECIAL TOOL

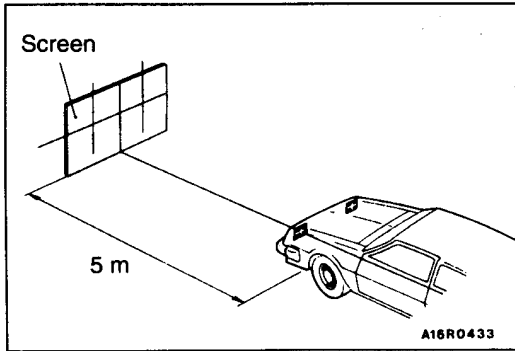
Tool	Number	Name	Use
 B990784	MB990784	Ornament remover	Removal of fog lamp bezzel



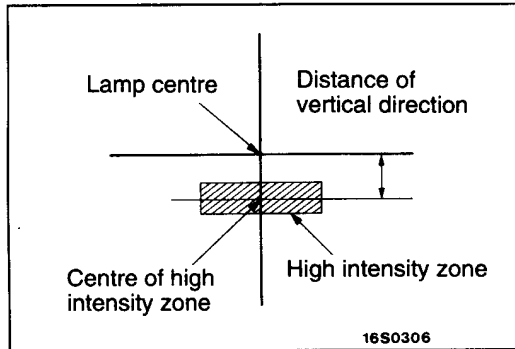
ON-VEHICLE SERVICE

FRONT FOG LAMP AIMING

1. Remove the fog lamp bezzel.
2. Measure the centre of the fog lamps, as shown in the illustration.



3. Set the distance between the screen and the centre of the fog lamps as shown in the illustration.
4. Inflate the tyres to the specified pressures and there should be no other load in the vehicles other than driver or substituted weight of approximately 75 kg placed in the driver's position.
5. With the engine running at 2,000 r/min, aim the fog lamp.



6. Check if the beam shining onto the screen is at the standard value.

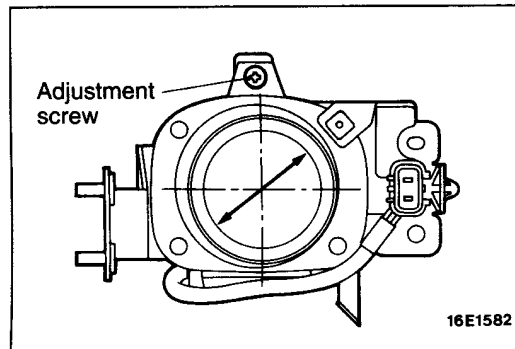
Standard value:

(Vertical direction)

100 mm below horizontal (H)

(Horizontal direction)

Parallel to direction of vehicle travel

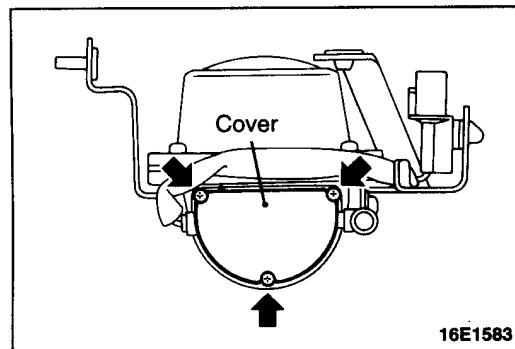


NOTE

The horizontal direction is non-adjustable. If the deviation of the lamp beam axis exceeds the standard value, check to be sure that the mounting location or some other point is not defective.

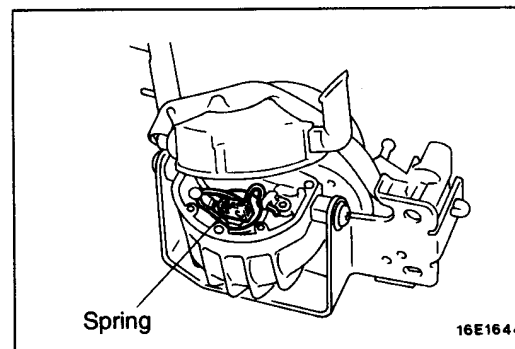
Caution

When making the aiming adjustment, be sure to mask those lamps which are not being adjusted.



BULB REPLACEMENT

1. Remove the fog lamp.
2. Remove the cover.

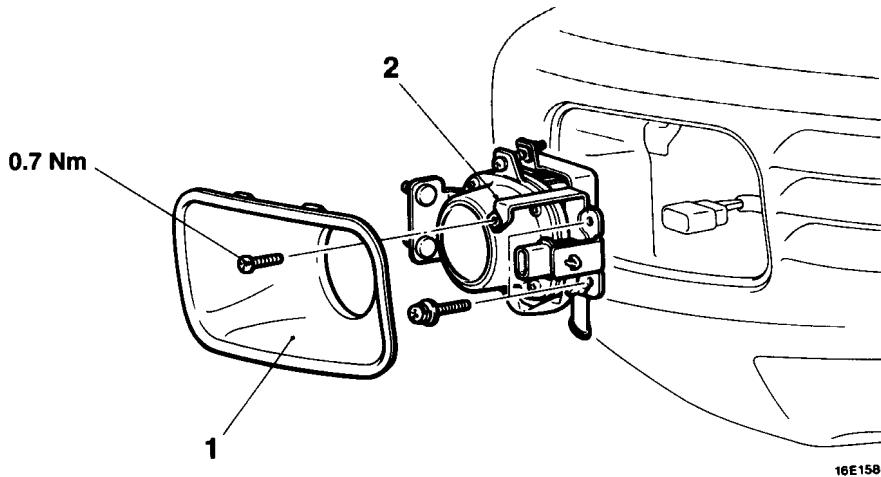


3. Unhook the spring which secures the bulb and then remove the bulb.

Caution

Do not touch the surface of the bulb with hands or dirty gloves. If the surface does become dirty, clean it with alcohol or thinner, and let it dry thoroughly before installing.

REMOVAL AND INSTALLATION

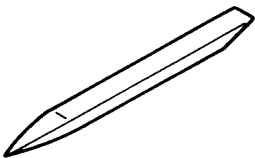


Removal steps

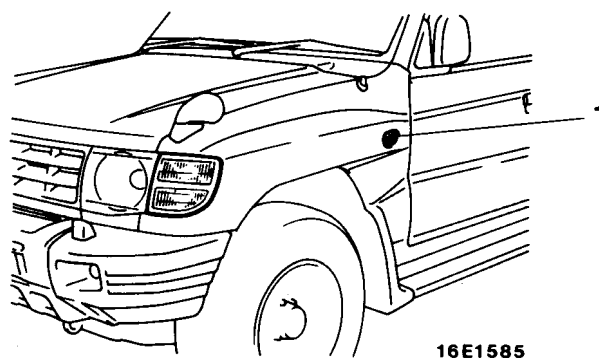
1. Fog lamp bezel
2. Front fog lamp assembly

SIDE TURN SIGNAL LAMP

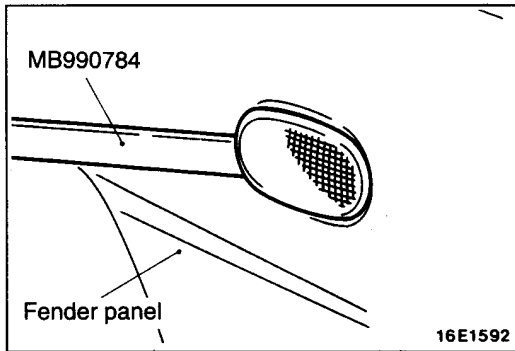
SPECIAL TOOL

Tool	Number	Name	Use
 <p>B990784</p>	MB990784	Ornament remover	Side turn signal lamp removal

REMOVAL AND INSTALLATION

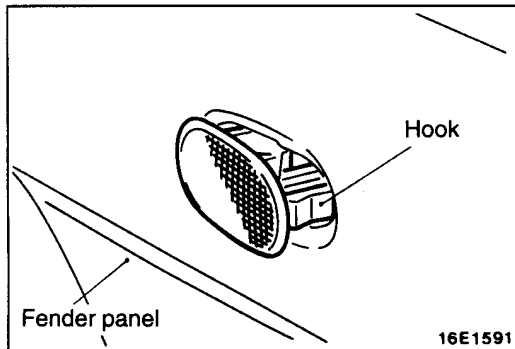


- ◀▶ ▶▶▶▶ 1. Side turn signal lamp



REMOVAL SERVICE POINT

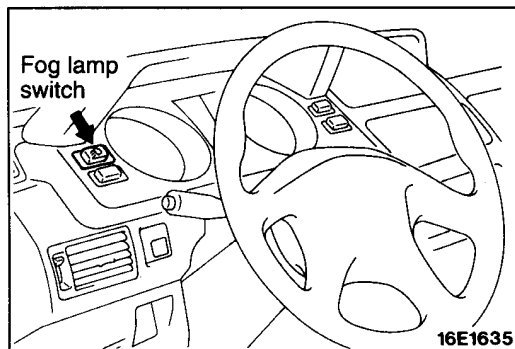
◀▶ SIDE TURN SIGNAL LAMP REMOVAL



INSTALLATION SERVICE POINT

▶◀ SIDE TURN SIGNAL LAMP INSTALLATION

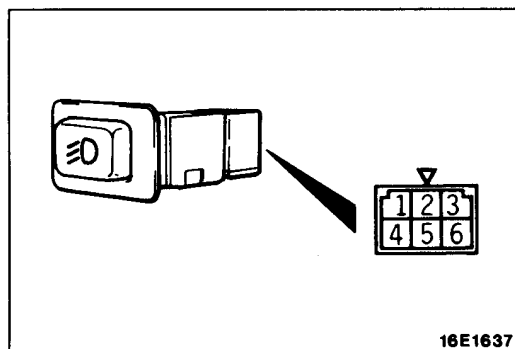
Face the hook of the side turn signal lamp to the rear of vehicle.



FRONT FOG LAMP SWITCH

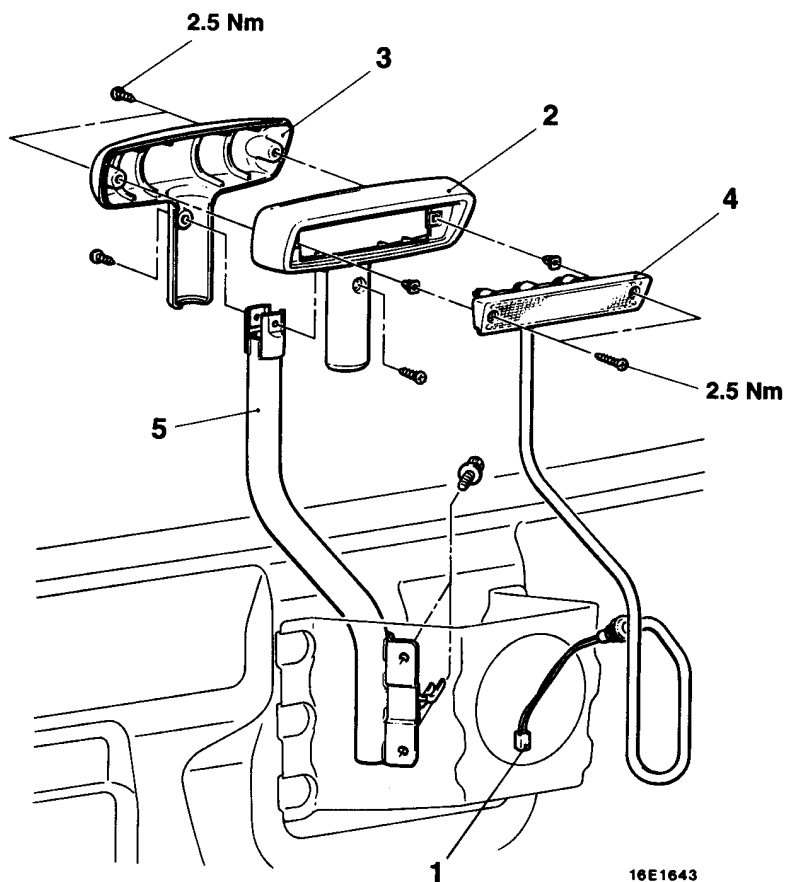
INSPECTION

(1) Remove the fog lamp switch from the meter bezel.



(2) Operate the switch and check for continuity between the terminals.

Switch position	Terminal						
	1	4	3	6	2	ILL	5
OFF							
ON	○—○		○—○		○	○	○

HIGH MOUNTED STOP LAMP**REMOVAL AND INSTALLATION****Removal steps**

- Spare tyre
- Back door trim
- 1. Connector
- 2. Front cover
- 3. Rear cover
- 4. High mounted stop lamp
- 5. High mounted stop lamp pipe